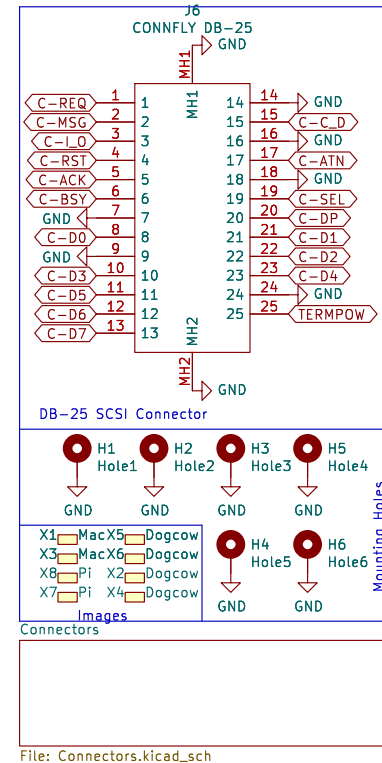


Note the original RaSCSI design calls the DIR pin "ATOB"
Enable Input ("G") is active low, so always grounded.



This card include bus transceiver logic to allow a Raspberry Pi to connect to a vintage Macintosh SCSI port. (It may work with other systems as well)

This design is based upon GIMONS's Target/Initiator design <http://retropc.net/gimons/rascsi/>

This is the "FULLSPEC" version of the board that can work as a SCSI target OR initiator

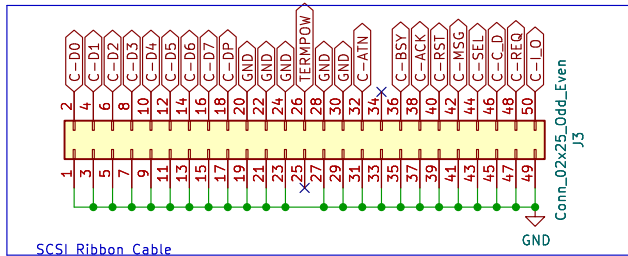
Thank you to everyone who has worked on this project!!

Sheet: /
File: piscsi.kicad_sch

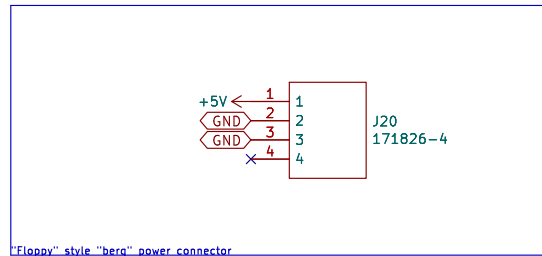
Title: **PISCSI**

Size: USLetter Date: **22-Jan-2022**
KiCad E.D.A. kicad 7.0.2

Rev: **2.7**
Id: 1/3

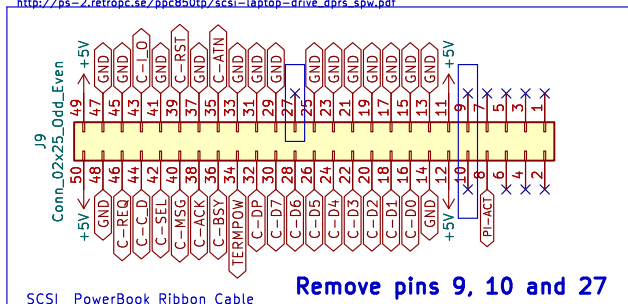


SCSI Ribbon Cable



"Floppy" style "berg" power connector

http://ps-2.retropc.se/ppc850tp/scsi-laptop-drive_dprs_spw.pdf



SCSI PowerBook Ribbon Cable

Sheet: /Connectors/
File: Connectors.kicad_sch

Title:

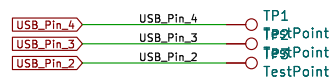
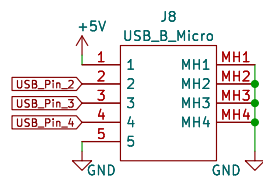
Size: A4

Date:

KiCad E.D.A. kicad 7.0.2

Rev:

Id: 2/3



Pins 2,3,4 are not used. However, if there aren't any traces connected to them, they fall off very easily. These test points don't serve any function other than adding more copper to Pins 2,3,4

Sheet: /USB_Conn/
File: USB_Conn.kicad_sch

Title:

Size: A4

Date:

KiCad E.D.A. kicad 7.0.2

Rev:

Id: 3/3