

# REALTEK

## **RTL8761B Series (RTL8761BUV-CG/RTL8761BTV-CG)**

### **BLUETOOTH 5 CONTROLLER**

### **PRELIMINARY DATASHEET (CONFIDENTIAL: Development Partners Only)**

**Rev. 1.2  
04 November 2019  
Track ID: JATR-8275-15**



Realtek Semiconductor Corp.  
No. 2, Innovation Road II, Hsinchu Science Park, Hsinchu 300, Taiwan  
Tel.: +886-3-578-0211. Fax: +886-3-577-6047  
[www.realtek.com](http://www.realtek.com)

## **COPYRIGHT**

©2019 Realtek Semiconductor Corp. All rights reserved. No part of this document may be reproduced, transmitted, transcribed, stored in a retrieval system, or translated into any language in any form or by any means without the written permission of Realtek Semiconductor Corp.

## **DISCLAIMER**

Realtek provides this document ‘as is’, without warranty of any kind. Realtek may make improvements and/or changes in this document or in the product described in this document at any time. This document could include technical inaccuracies or typographical errors.

## **TRADEMARKS**

Realtek is a trademark of Realtek Semiconductor Corporation. Other names mentioned in this document are trademarks/registered trademarks of their respective owners.

## **USING THIS DOCUMENT**

This document is intended for the software engineer’s reference and provides detailed programming information.

Though every effort has been made to ensure that this document is current and accurate, more information may have become available subsequent to the production of this guide.

## **ELECTROSTATIC DISCHARGE (ESD) WARNING**

This product can be damaged by Electrostatic Discharge (ESD). When handling, care must be taken. Damage due to inappropriate handling is not covered by warranty.

Do not open the protective conductive packaging until you have read the following, and are at an approved anti-static workstation.

- Use an approved anti-static mat to cover your work surface
- Use a conductive wrist strap attached to a good earth ground
- Always discharge yourself by touching a grounded bare metal surface or approved anti-static mat before picking up an ESD-sensitive electronic component
- If working on a prototyping board, use a soldering iron or station that is marked as ESD-safe
- Always disconnect the microcontroller from the prototyping board when it is being worked on

## **REVISION HISTORY**

<b>Revision</b>	<b>Release Date</b>	<b>Summary</b>
0.7	2019/05/06	First release.
0.8	2019/06/12	Modify USB description.
0.9	2019/06/25	Modify internal LDO output voltage.
1.0	2019/07/19	Modify internal LDO output voltage tolerance.
1.1	2019/10/30	Add information about PCM.
1.2	2019/11/04	Modify Storage Temperature.
1.3	2019/11/13	Modify and add some feature descriptions.



## Table of Contents

<b>1. GENERAL DESCRIPTION .....</b>	<b>1</b>
<b>2. FEATURES .....</b>	<b>2</b>
<b>3. BLOCK DIAGRAM .....</b>	<b>3</b>
<b>4. PIN ASSIGNMENTS .....</b>	<b>4</b>
4.1. PACKAGE IDENTIFICATION .....	4
4.2. PIN OUT (TOP VIEW) --RTL8761BTV .....	4
4.2.1. Power-On Trap Pins.....	5
4.3. PIN OUT (TOP VIEW) --RTL8761BUV .....	6
4.3.1. Power-On Trap Pins.....	7
<b>5. POWER ARCHITECTONICS .....</b>	<b>8</b>
5.1. REGULATION ARCHITECTURE .....	8
5.2. USB POWER ON SEQUENCE .....	9
<b>6. PIN FUNCTION DESCRIPTION .....</b>	<b>10</b>
6.1. UART INTERFACE .....	10
6.2. BT Wi-Fi Co-EXISTENCE (PTA) .....	10
6.3. LED .....	11
<b>7. ELECTRICAL AND THERMAL CHARACTERISTICS.....</b>	<b>11</b>
7.1. TEMPERATURE LIMIT RATINGS .....	12
7.2. POWER SUPPLY DC CHARACTERISTICS.....	12
7.3. POWER MANAGEMENT UNIT: SWITCH MODE REGULATOR FOR DIGITAL CORE, RF .....	12
<b>8. RF CHARACTERISTICS.....</b>	<b>13</b>
8.1. RF RADIO.....	13
8.2. REFERENCE RFIO CIRCUIT .....	14
<b>9. ESD PROTECTION AND LATCH UP .....</b>	<b>15</b>
<b>10. STORAGE CONDITION .....</b>	<b>15</b>
<b>11. MECHANICAL DIMENSIONS .....</b>	<b>16</b>
11.1. MQFN32_4x4 .....	16
<b>12. ORDERING INFORMATION .....</b>	<b>18</b>

---

## List of Tables

---

TABLE 1. SIGNAL DESCRIPTION OF RTL8761BTV.....	5
TABLE 2. POWER-ON TRAP PINS OF RTL8761BTV .....	5
TABLE 3. SIGNAL DESCRIPTION OF RTL8761BUV .....	6
TABLE 4. POWER-ON TRAP PINS OF RTL8761BUV .....	7
TABLE 5. USB INTERFACE USB ATTACH TIMING .....	9
TABLE 6. LED SPECIFICATION SUGGESTIONS .....	11
TABLE 7. TEMPERATURE LIMIT RATINGS .....	12
TABLE 8. POWER SUPPLY DC CHARACTERISTICS.....	12
TABLE 9. SWITCH MODE REGULATOR.....	12
TABLE 10. ESD & LATCH-UP PROTECTION .....	15
TABLE 11. STORAGE CONDITION .....	15
TABLE 12. QFN32_4x4 DIMENSION NOTE. ....	17
TABLE 13. ORDER INFORMATION.....	18

---

## List of Figures

---

FIGURE 1. BLOCK DIAGRAM.....	3
FIGURE 2. PACKAGE IDENTIFICATION.....	4
FIGURE 3. RTL8761BTV PIN ASSIGNMENTS .....	4
FIGURE 4. RTL8761BUV PIN ASSIGNMENTS.....	6
FIGURE 5. REGULATORS ARCHITECTONICS OF RTL8761B SERIES .....	8
FIGURE 6. CHIP USB POWER SEQUENCE .....	9
FIGURE 7. UART INTERFACE .....	10
FIGURE 8. BT WI-FI CO-EXISTENCE (PTA).....	10
FIGURE 9. LED SAMPLE CIRCUIT .....	11
FIGURE 10. RF RADIO BLOCK DIAGRAM .....	13
FIGURE 11. REFERENCE RFIO CIRCUIT.....	14

---

## 1. General Description

The Realtek RTL8761B is a highly integrated single-chip Bluetooth 5 controller with a UART (RTL8761BTV)/ USB (RTL8761BUV) interface. It combines a BT Protocol Stack (LM, LL, L2CAP, GATT, RFCOMM, SPP, and LE), BT Baseband, modem, and BT RF in a single chip.

The RTL8761B Bluetooth controller complies with Bluetooth core specification v5 and supports dual mode (BR/EDR + Low Energy Controllers). It is compatible with previous versions, including v2.1 + LE. For BR/EDR, it allows multiple active links in either slave mode or master mode. For Low Energy, it supports multiple states and allows multiple active links in slave mode. A BR/EDR link and an LE link can be active at the same time.

## 2. Features

### General Features

- Bluetooth 5 specification compliant
- Single-end RF radio output with high performance 10dBm of BR transmitter power and -94.5dBm 2M EDR receiver sensitivity.
- Supports Bluetooth classic (BDR/EDR)
- Supports Bluetooth Low Energy (BLE)

### Host Interface

- RTL8761BTV Complies with HS-UART with configurable baud rate for Bluetooth
- RTL8761BUV Complies with USB1.1 full speed mode.

### Bluetooth Controller

- Compatible with Bluetooth v2.1 Systems
- HS-UART interface for Bluetooth data transmission compliant H5 specification
- Integrated MCU to execute Bluetooth protocol stack
- Supports all packet types in basic rate and enhanced data rate
- Supports Secure Simple Pairing
- Enhanced BT/Wi-Fi Coexistence Control to improve transmission quality in different profiles
- Supports multiple Low Energy states

### Bluetooth Transceiver

- Fast AGC control to improve receiving dynamic range

- Supports Power Control
- Bluetooth Low Energy Support
- Integrated 32K oscillator for power management

### Peripheral Interfaces

- Configurable LED pin
- PCM
- GPIO

### Clock system

- Build-in 32K oscillator
- 40MHz main clock

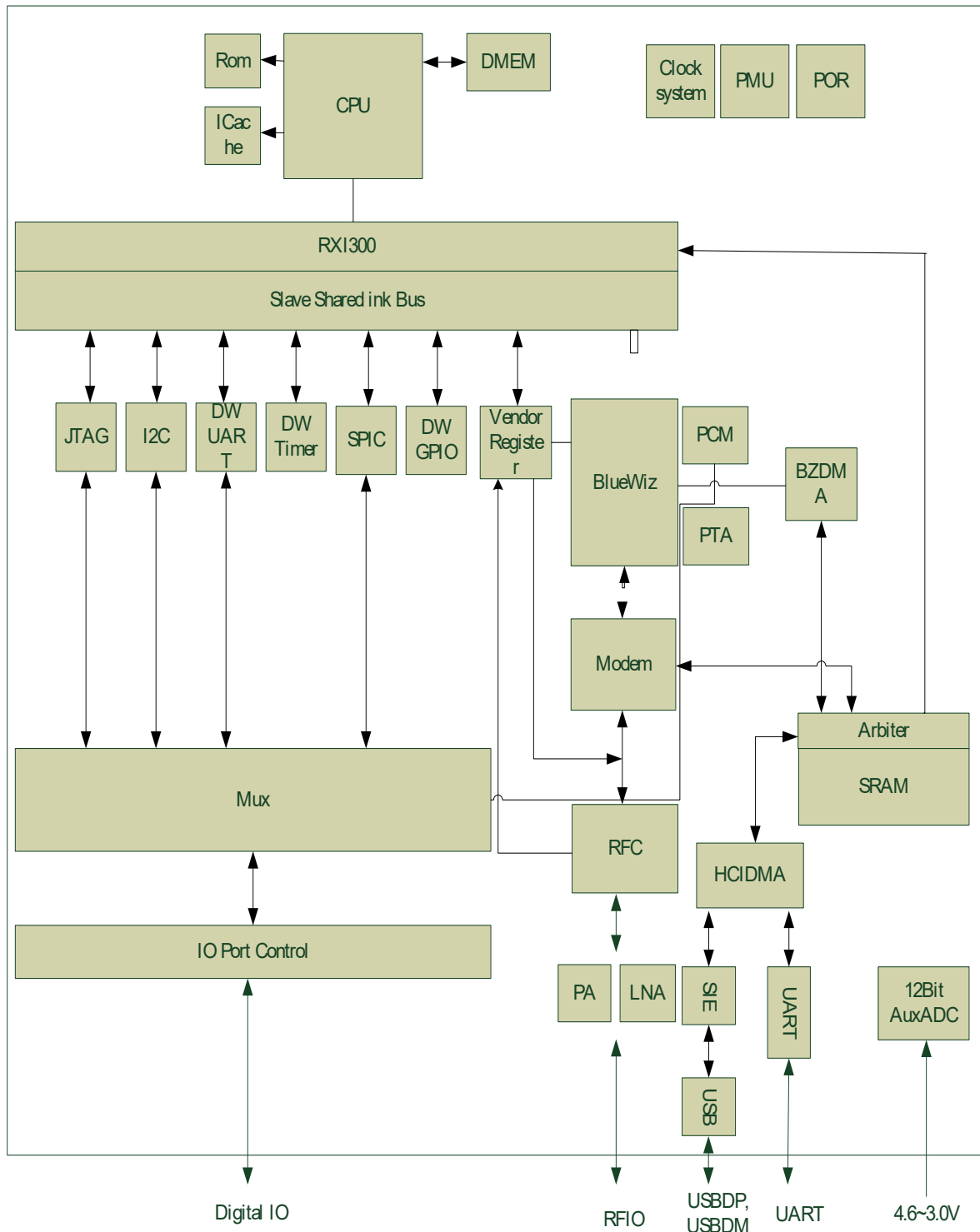
### RF

- Chipset typical default TX output power is +4.5dBm for all data rate
- Supports TX +10dBm maximum output power for Bluetooth BR/BLE
- Supports TX +7.5dBm maximum output power for Bluetooth EDR
- Receive sensitivity: -94 dBm (2Mbps EDR Minimum)
- Receive sensitivity: -98 dBm (BLE Minimum)
- Receiver sensitivity: -106 dBm (125K BLE long range Minimum)

### Operating Condition

- Operating voltage: 2.97V to 3.63V
- Temperature range: 0 °C to +70 °C

### 3. Block Diagram



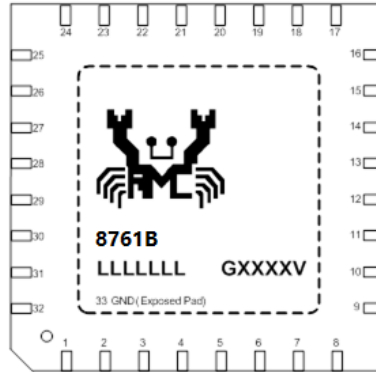
**Figure 1. Block Diagram**



## 4. Pin Assignments

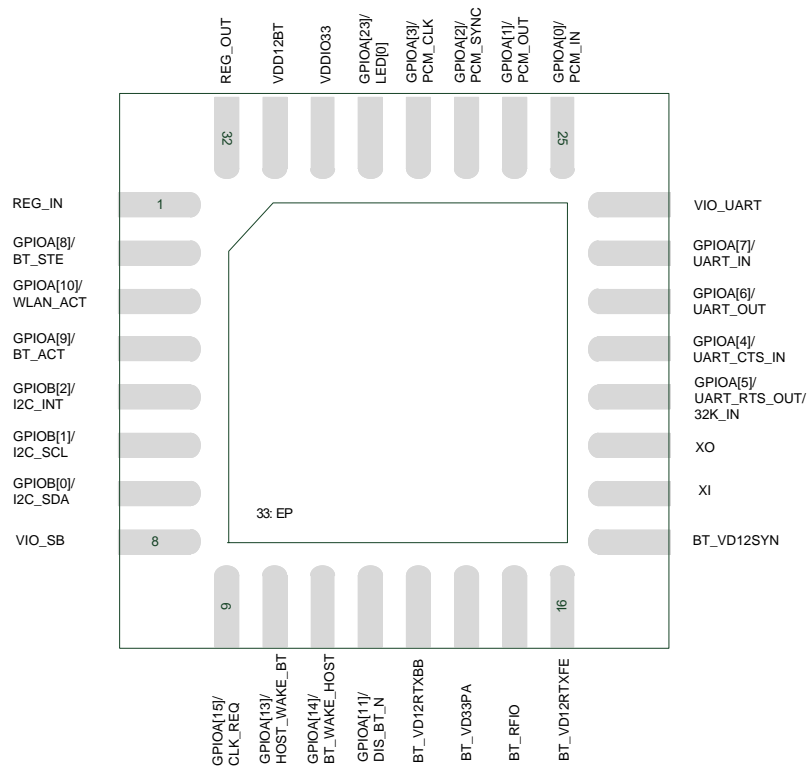
### 4.1. Package Identification

Green package is indicated by the ‘G’ in GXXXXV. The version is shown in the location marked ‘V’.



**Figure 2. Package Identification**

### 4.2. Pin Out (TOP VIEW) --RTL8761BTV



**Figure 3. RTL8761BTV Pin Assignments**

**Table 1. Signal Description of RTL8761BTV**

Pin Name	No.	Type	Power Domain	Description
REG_IN	1	Power	-	Internal LDO input
GPIOA[8]	2	Digital I/O	VDDIO33	BT_STE
GPIOA[10]	3	Digital I/O	VDDIO33	WLAN_ACT
GPIOA[9]	4	Digital I/O	VDDIO33	BT_ACT
GPIOB[2]	5	Digital I/O	VDDIO33	GPIO signal/RT_INT
GPIOB[1]	6	Digital I/O	VDDIO33	GPIO signal/RT_SCL
GPIOB[0]	7	Digital I/O	VDDIO33	GPIO signal/RT_SDA
VIO_SB	8	Power	-	3.3V/1.8V IO power input
GPIOA[15]	9	Digital I/O	VIO_SB	CLK_REQ
GPIOA[13]	10	Digital I/O	VIO_SB	HOST_WAKE_BT
GPIOA[14]	11	Digital I/O	VIO_SB	BT_WAKE_HOST
GPIOA[11]	12	Digital I/O	VIO_SB	DIS_BT_N, bt function disable
BT_VD12RTXBB	13	Power	-	1.26V input, typically connect to output of internal DC-DC
BT_VD33PA	14	Power	-	3.3V power input
BT_RFIO	15	Analog I/O	-	RFIO
BT_VD12RTXFE	16	Power	-	1.26V input, typically connect to output of internal DC-DC
BT_VD12SYN	17	Power	-	1.26V input, typically connect to output of internal DC-DC
XI	18	Analog I/O	-	Crystal Pin
XO	19	Analog I/O	-	Crystal Pin
GPIOA[5]	20	Digital I/O	VIO_UART	UART_RTS/32K_IN
GPIOA[4]	21	Digital I/O	VIO_UART	UART_CTS
GPIOA[6]	22	Digital I/O	VIO_UART	UART_OUT
GPIOA[7]	23	Digital I/O	VIO_UART	UART_IN
VIO_UART	24	Power	-	3.3V/1.8V IO power
GPIOA[0]	25	Digital I/O	VIO_UART	PCM_IN
GPIOA[1]	26	Digital I/O	VIO_UART	PCM_OUT
GPIOA[2]	27	Digital I/O	VIO_UART	PCM_SYNC
GPIOA[3]	28	Digital I/O	VIO_UART	PCM_CLOCK
GPIOA[23]	29	Digital I/O	VDDIO33	LED/system log
VDDIO33	30	Power	-	3.3V power input
VDD12BT	31	Power	-	1.26V input, typically connect to output of internal DC-DC
REG_OUT	32	Power	-	Internal LDO output

### 4.2.1. Power-On Trap Pins

**Table 2. Power-On Trap Pins of RTL8761BTV**

Symbol	Pin No	Power Domain	Description
ICFG(0)	25	VIO_UART	Test mode number io0
ICFG(1)	26	VIO_UART	Test mode number io1

Symbol	Pin No	Power Domain	Description
ICFG(2)	27	VIO_UART	Test mode number io2
ICFG(3)	28	VIO_UART	Test mode number io3
SPS_LDO_SEL	4	VDDIO33	LDO mode selection
TEST_MODE_SEL	2	VDDIO33	Test mode selection. Keep low when 3.3V power attach
EEPROM_SEL	11	VIO_SB	Keep low when 3.3V power attached

### 4.3. Pin Out (TOP VIEW) --RTL8761BUV

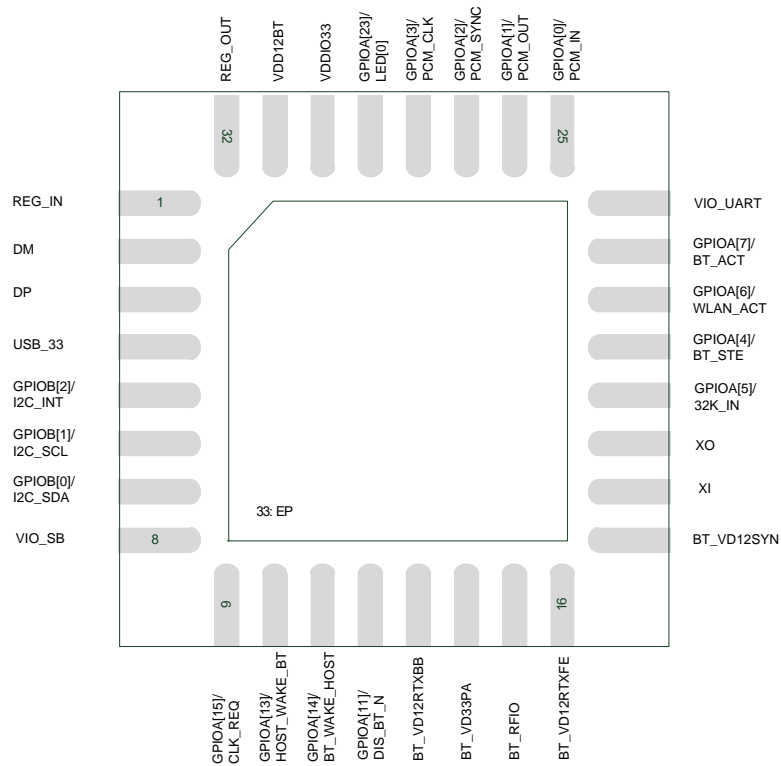


Figure 4. RTL8761BUV Pin Assignments

Table 3. Signal Description of RTL8761BUV

Pin Name	No	Type	Power Domain	Description
REG_IN	1	Power	-	Internal LDO input
DM	2	Analog I/O	-	USB DM, connect to host USB DP
DP	3	Analog I/O	-	USB DP, connect to host USB DP
USB_33	4	Power	-	USB 3.3V input
GPIOB[2]	5	Digital I/O	VDDIO33	GPIO signal/RT_INT
GPIOB[1]	6	Digital I/O	VDDIO33	GPIO signal/RT_SCL
GPIOB[0]	7	Digital I/O	VDDIO33	GPIO signal/RT_SDA
VIO_SB	8	Power	-	3.3/1.8V IO power input

Pin Name	No	Type	Power Domain	Description
GPIOA[15]	9	Digital I/O	VIO_SB	CLK_REQ
GPIOA[13]	10	Digital I/O	VIO_SB	HOST_WAKE_BT
GPIOA[14]	11	Digital I/O	VIO_SB	BT_WAKE_HOST
GPIOA[11]	12	Digital I/O	VIO_SB	DIS_BT_N, bt function disable
BT_VD12RTXBB	13	Power	-	1.26V input, typically connect to output of internal DC-DC
BT_VD33PA	14	Power	-	3.3V power input
BT_RFIO	15	Analog I/O	-	RF IO
BT_VD12RTXFE	16	Power	-	1.26V input, typically connect to output of internal DC-DC
BT_VD12SYN	17	Power	-	1.26V input, typically connect to output of internal DC-DC
XI	18	Analog I/O	-	crystal pin
XO	19	Analog I/O	-	crystal pin
GPIOA[5]	20	Digital I/O	VIO_UART	32K_IN
GPIOA[4]	21	Digital I/O	VIO_UART	BT_STE
GPIOA[6]	22	Digital I/O	VIO_UART	WLAN_ACT
GPIOA[7]	23	Digital I/O	VIO_UART	BT_ACT
VIO_UART	24	Power	-	3.3V/1.8V IO power input
GPIOA[0]	25	Digital I/O	VIO_UART	PCM_IN
GPIOA[1]	26	Digital I/O	VIO_UART	PCM_OUT
GPIOA[2]	27	Digital I/O	VIO_UART	PCM_SYNC
GPIOA[3]	28	Digital I/O	VIO_UART	PCM_CLOCK
GPIOA[23]	29	Digital I/O	VDDIO33	LED/system log
VDDIO33	30	Power	-	3.3V power input
VDD12BT	31	Power	-	1.26V input, typically connect to output of internal DC-DC
REG_OUT	32	Power	-	Internal LDO output

### 4.3.1. Power-On Trap Pins

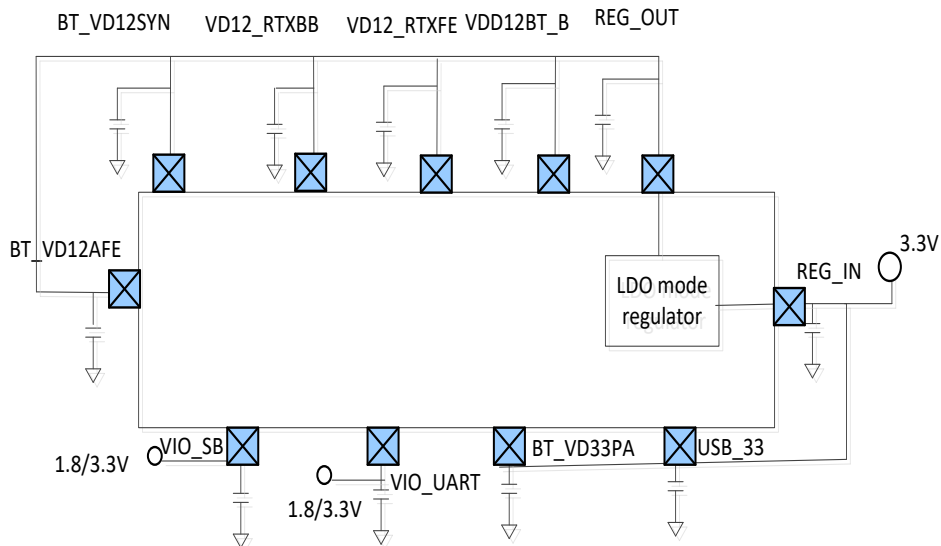
**Table 4. Power-On Trap Pins of RTL8761BUV**

Symbol	Pin No	Power Domain	Description
ICFG(0)	25	VIO_UART	Test mode number io0
ICFG(1)	26	VIO_UART	Test mode number io1
ICFG(2)	27	VIO_UART	Test mode number io2
ICFG(3)	28	VIO_UART	Test mode number io3
SPS_LDO_SEL	23	VIO_UART	LDO mode selection
TEST_MODE_SEL	21	VIO_UART	Test mode selection. Keep low when 3.3V power attach
EEPROM_SEL	11	VIO_SB	Keep low when 3.3V power attach

## 5. Power Architectonics

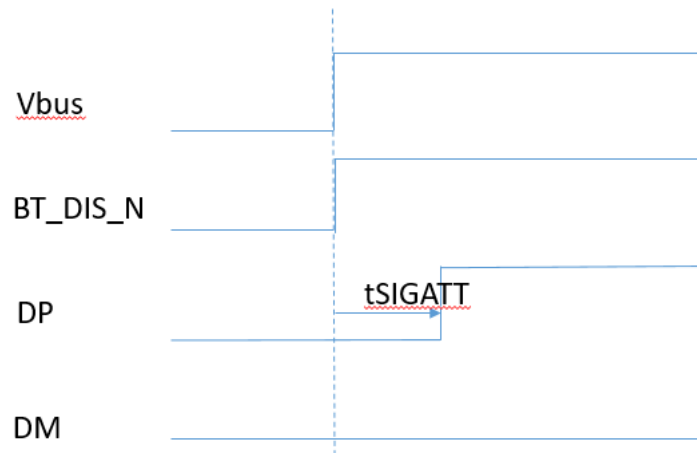
8761B circuit is separate into always-on, partial on, partial off power domain. Except always-on domain, each power domain can be turn off when system go into different power state.

### 5.1. Regulation architecture



**Figure 5. Regulators Architectonics of RTL8761B series**

## 5.2. USB Power On Sequence



**Figure 6. Chip USB Power Sequence**

**Table 5. USB Interface USB Attach Timing**

Parameter	Symbol	Min	Typical	Max
Timing between VBUS valid to USB device attach (ms)	t <sub>SIGATT</sub>	3	6.68	20

## 6. Pin Function Description

### 6.1. UART Interface

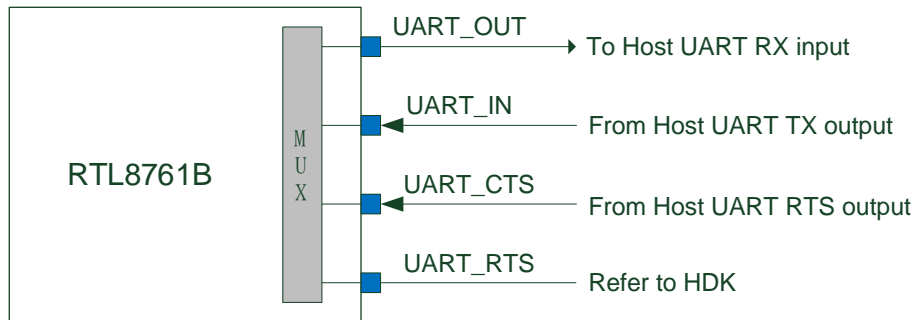


Figure 7. UART Interface

### 6.2. BT Wi-Fi Co-Existence (PTA)

The RTL8761B series support a BT/Wi-Fi co-existence scheme, PTA (Packet Traffic Arbiter)

PTA is a handshake algorithm between Wi-Fi and Bluetooth in a Wi-Fi and Bluetooth co-existence system.

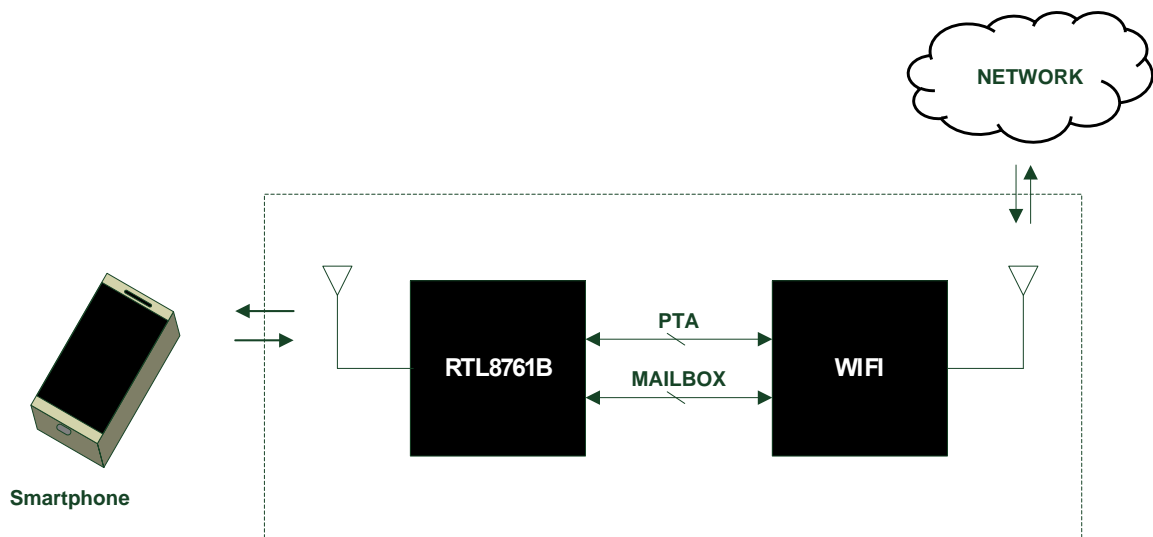


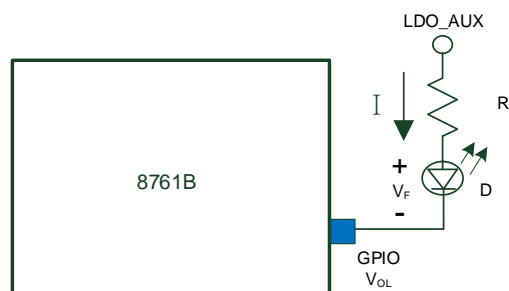
Figure 8. BT Wi-Fi Co-Existence (PTA)

### 6.3. LED

The RTL8761B series support GPIO assignment to drive the LED for status indication.

**Table 6. LED Specification Suggestions**

Parameter	Min.	Typ.	Max.	Unit
Driving capacity	-	-	12	mA
GPIO $V_{OH}$	1.8	-	3.6	V
GPIO $V_{OL}$	-	0.2	-	-



**Figure 9. LED Sample Circuit**

### 6.4. PCM Interface Characteristics

The RTL8761B supports a PCM digital audio interface that is used for transmitting digital audio/voice data to/from the Audio Codec. Features are supported as below:

- Supports Master and Slave mode
- Programmable long/short Frame Sync
- Supports 8-bit/16-bit linear PCM formats
- PCM Master Clock Output: 64, 128, 256, or 512kHz
- Supports SCO/ESCO link



## 7. Electrical and Thermal Characteristics

### 7.1. *Temperature Limit Ratings*

**Table 7. Temperature Limit Ratings**

Parameter	Minimum	Maximum	Units
Ambient Operating Temperature	0	70	°C

### 7.2. *Power Supply DC Characteristics*

**Table 8. Power Supply DC Characteristics**

Symbol	Parameter	Minimum	Typical	Maximum	Units
REG_IN, USB33, VDDIO33	3.3V Supply Voltage	3.0	3.3	3.63	V
BT_VDD33PA	RF PA Supply Voltage	3.0	3.3	3.63	V
VDD12BT, BT_VD12SYN	1.26V Supply Voltage Synthesizer control	1.23	1.26	1.29	V
BT_VD12RTXBB, BT_VD12RTXFE	RF transceiver control	1.23	1.26	1.29	V
VDDIO_SB	IO Supply Voltage	1.8	3.3	3.63	V

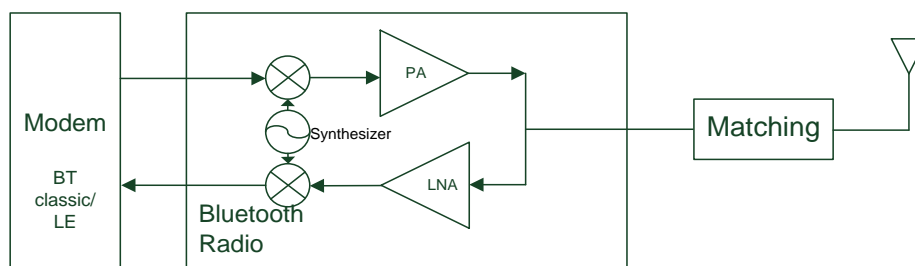
### 7.3. *Power Management Unit: Switch Mode Regulator for Digital Core, RF*

**Table 9. Switch Mode Regulator**

Item	Min.	Typ.	Max.	Unit
Input voltage	2.97	3.3	3.63	V
Output voltage	-	1.26	-	V
Inductor inductance	-	2.2	-	μH
Inductor specification, saturation current	-	500	-	mA
Inductor specification, DCR	-	0.1	0.6	Ω
Input capacitor	-	10	-	μF
Output capacitor	-	4.7	-	μF

## 8. RF Characteristics

### 8.1. RF Radio



**Figure 10. RF Radio Block Diagram**

#### Transceiver

This is a fully integrated all parts of radio transceiver and compliant with Bluetooth SIG test specification. It is designed for low power consumption and excellent transmit and receive performance in the ISM band.

#### Transmit Part

**Transmit mixer:** The transmit mixer translates the baseband input signal to form the RF signal. It is designed to provide good stability and modulation characteristics.

**Power Amplifier:** The power amplifier integrated in the chip can provide up to +3 dBm in the ISM band.

#### Receive Part

**Low Noise Amplifier:** Amplifies the low energy RF signal to the desired level without significantly increasing the noise power. It is designed to maintain with good linearity in high input power environments.

**Receive mixer:** The Receiver mixer receives an input RF signal and outputs an IF signal. The IF signal is then passed along the IF path to the demodulator.

**Synthesizer:** This is a control loop that compares the crystal and VCO between their phases. If the VCO frequency shifts, then the phase difference produces an error signal for the control loop.

## 8.2. Reference RFIO Circuit

Reference RFIO circuit: please refer to Realtek 8761B series HDK

The RFIO recommended circuits are composed of the pi-matching (1.2pF – 2.7nH – 1.2pF) and an AC-coupled capacitor (22pF).

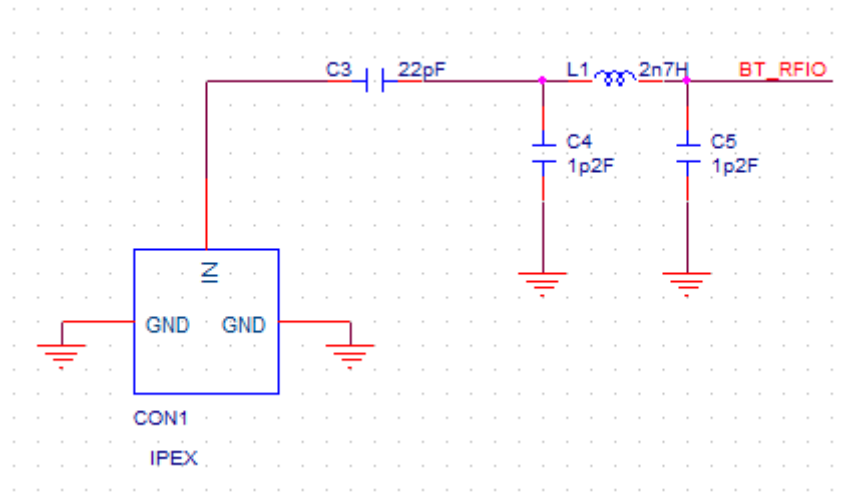


Figure 11. Reference RFIO Circuit

## 9. ESD Protection and Latch up

The table below shows the ESD and Latch-up capability of RTL8761B.

The ESD protection scheme should be applied during manufacture procedure to avoid unconditional ESD damage.

**Table 10. ESD & Latch-up Protection**

Parameter	Condition	Min.	Typ.	Max.
Human Body Mode	All pins, test method: JESD22	-	±3.5kV (all pins)	-
Machine Mode	All pins, test method: JESD22	-	±100V	-
Charged Device Model	All pins, test method: JESD22	-	±500V (all pins)	-
Latch up	All pins, test method: JESD78E		±100mA (all pins)	-
Latch up	All pins, test method: JESD78E		1.5 x VDD (all pins)	

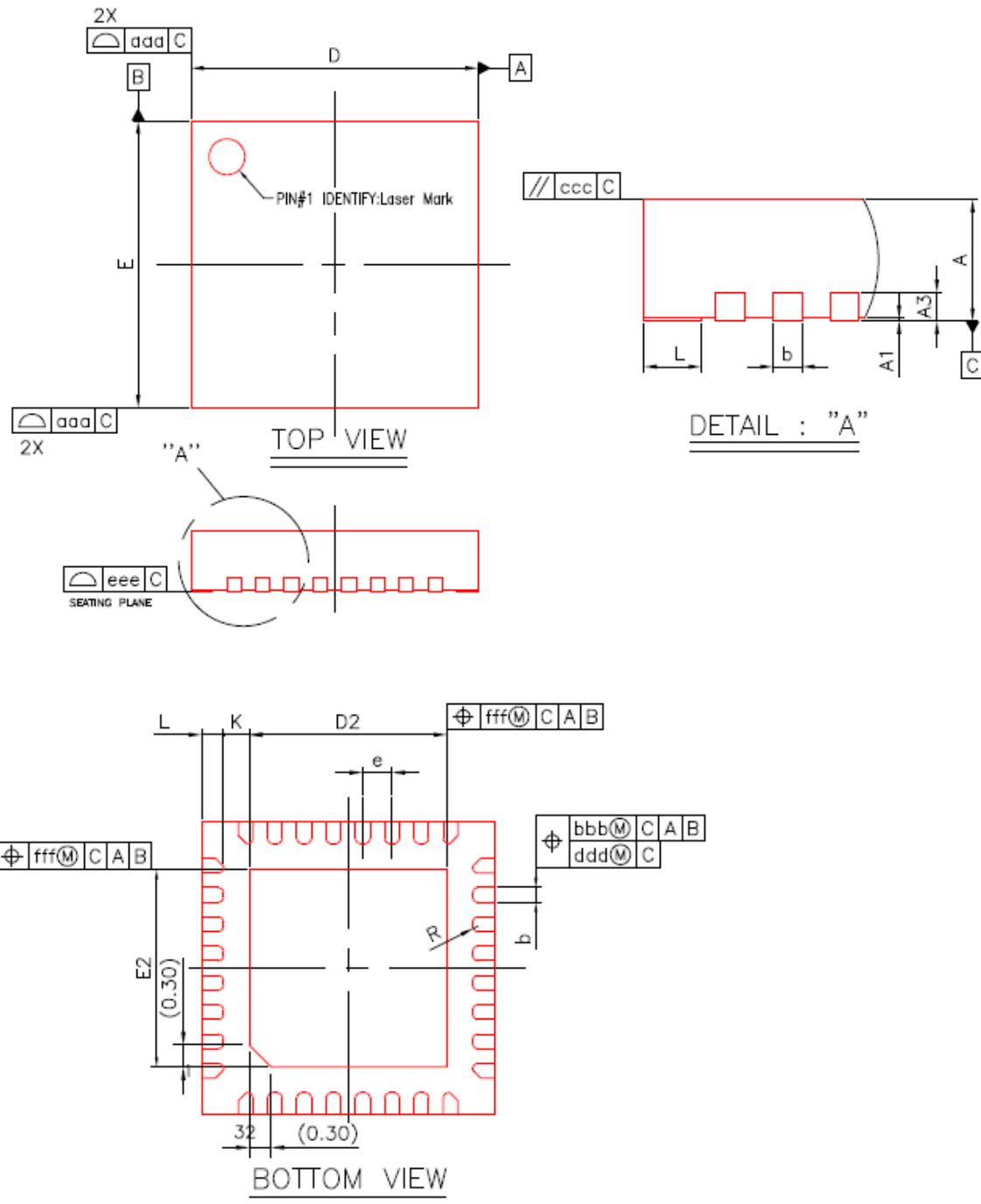
## 10. Storage Condition

**Table 11. Storage Condition**

	MIN.	TYP.	MAX.
Storage Temperature	-55°C	22°C	125°C
Storage Humidity	40%	50%	60%

# 11. Mechanical Dimensions

## 11.1. MQFN32\_4x4



**Table 12. QFN32\_4x4 Dimension Note.**

Symbol	Dimension in nm			Dimension in inch		
	MIN	MON	MAX	MIN	MON	MAX
A	0.80	0.85	0.90	0.031	0.033	0.035
A1	0.00	0.02	0.05	0.000	0.001	0.002
A3	0.20 REF			0.008 REF		
b	0.15	0.20	0.25	0.006	0.008	0.010
D/E	3.90	4.00	4.10	0.154	0.157	0.161
D2/E2	2.60	2.70	2.80	0.102	0.106	0.110
e	0.40 BSC			0.16 BSC		
L	0.20	0.30	0.40	0.008	0.012	0.016
K	0.20	---	---	0.008	---	---
R	0.075	---	---	0.003	---	0.005
aaa	0.10			0.004		
bbb	0.07			0.003		
ccc	0.10			0.004		
ddd	0.05			0.002		
eee	0.08			0.003		
fff	0.10			0.004		

## 12. Ordering Information

**Table 13. Order Information**

<b>Part Number</b>	<b>Package/Features</b>	<b>Status</b>
RTL8761BTV-CG	QFN32, 4x4mm Outline, “Green Package”. UART, PTA, mailbox, PCM	ES
RTL8761BUV-CG	QFN32, 4x4mm Outline, “Green Package”. USB, PTA, mailbox, PCM	ES

---

**Realtek Semiconductor Corp.****Headquarters**

No. 2, Innovation Road II, Hsinchu Science Park,  
Hsinchu 300, Taiwan, R.O.C.

Tel: 886-3-5780211 Fax: 886-3-5776047

[www.realtek.com](http://www.realtek.com)