

Sheet: STM32F407VGT6



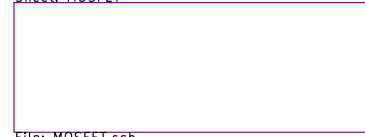
File: STM32F407VGT6.sch

Sheet: POWER



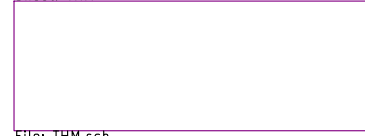
File: POWER.sch

Sheet: MOSFET



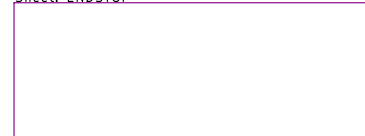
File: MOSFET.sch

Sheet: THM



File: THM.sch

Sheet: ENDSTOP



File: ENDSTOP.sch

Sheet: SD



File: SD.sch

Sheet: USB



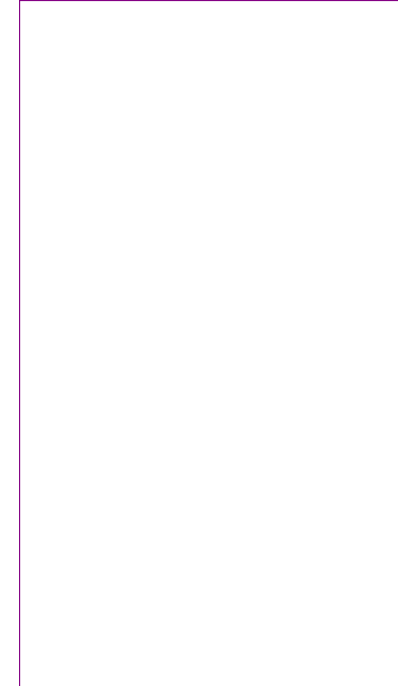
File: USB.sch

Sheet: WIFI



File: WIFI.sch

Sheet: DRIVE



File: DRIVE.sch

Sheet: P-AUX



File: P-AUX.sch

FID1 FID2 FID3
Fiducial Fiducial Fiducial



Github : <https://github.com/makerbase-mks>

FaceBook : <https://www.facebook.com/Makerbase.mks/>

Makerbase



Makerbase

Sheet: /

File: MKS Robin Nano V3.sch

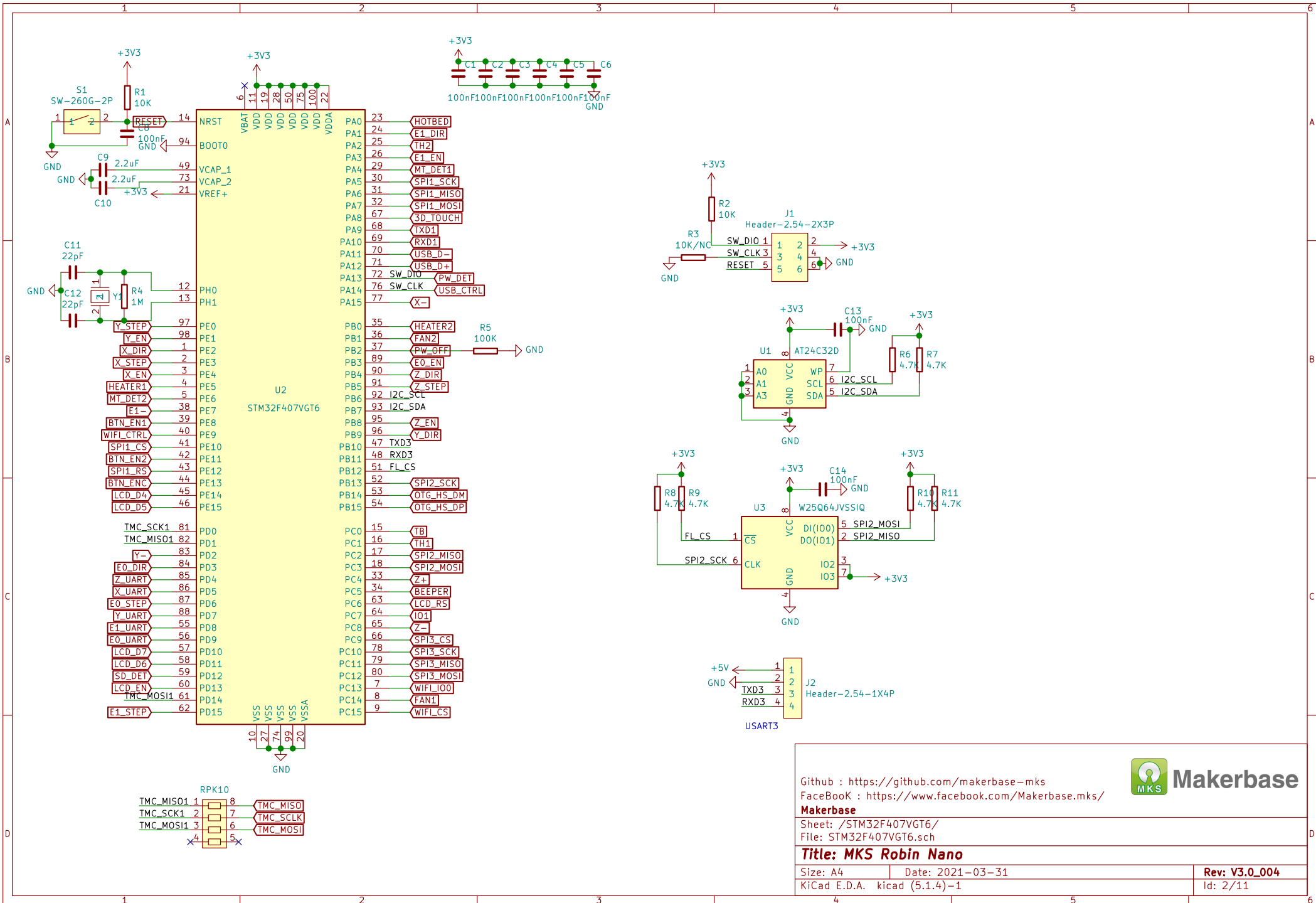
Title: MKS Robin Nano

Size: A4 Date: 2021-03-31

KiCad E.D.A. kicad (5.1.4)-1

Rev: V3.0_004

Id: 1/11



Github : <https://github.com/makerbase-mks>
 FaceBook : <https://www.facebook.com/Makerbase.mks/>



Makerbase

Sheet: /STM32F407VGT6/
 File: STM32F407VGT6.sch

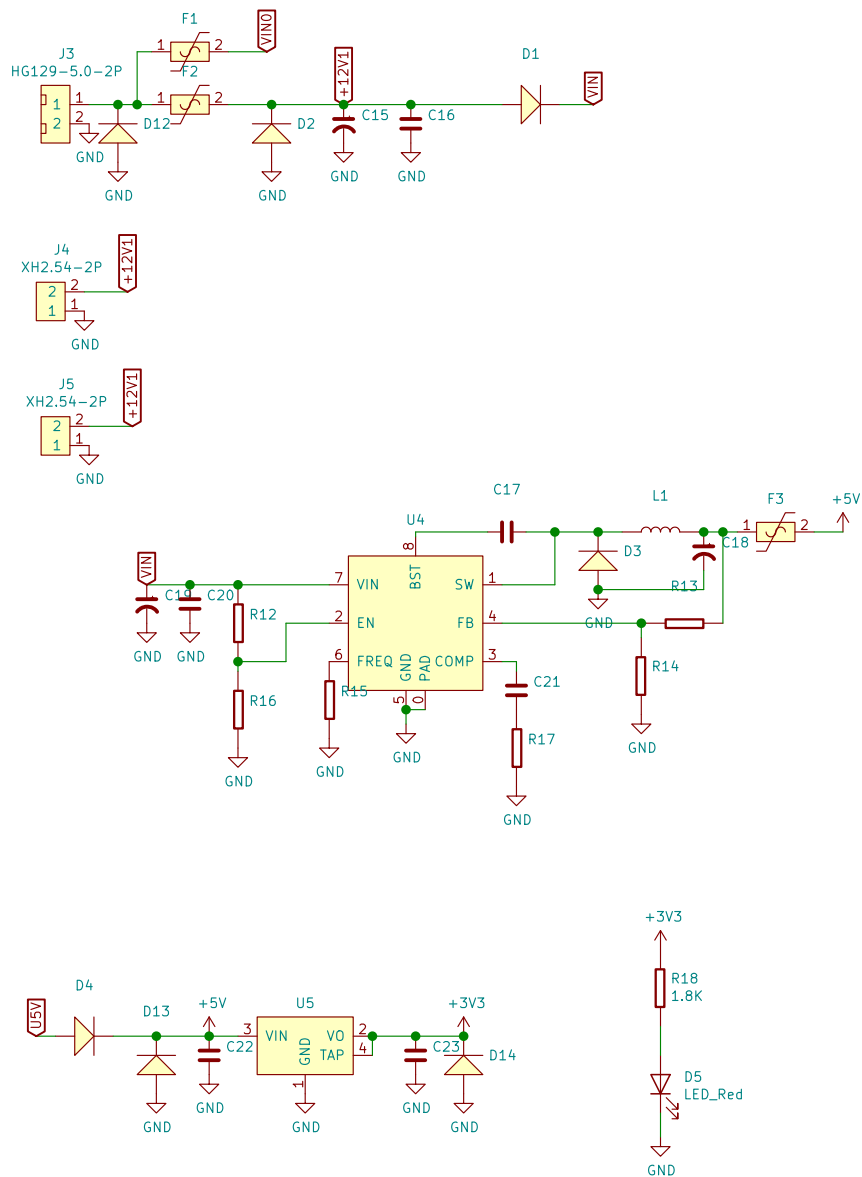
Title: MKS Robin Nano

Size: A4 | Date: 2021-03-31

KiCad E.D.A. kicad (5.1.4)-1

Rev: V3.0_004

Id: 2/11

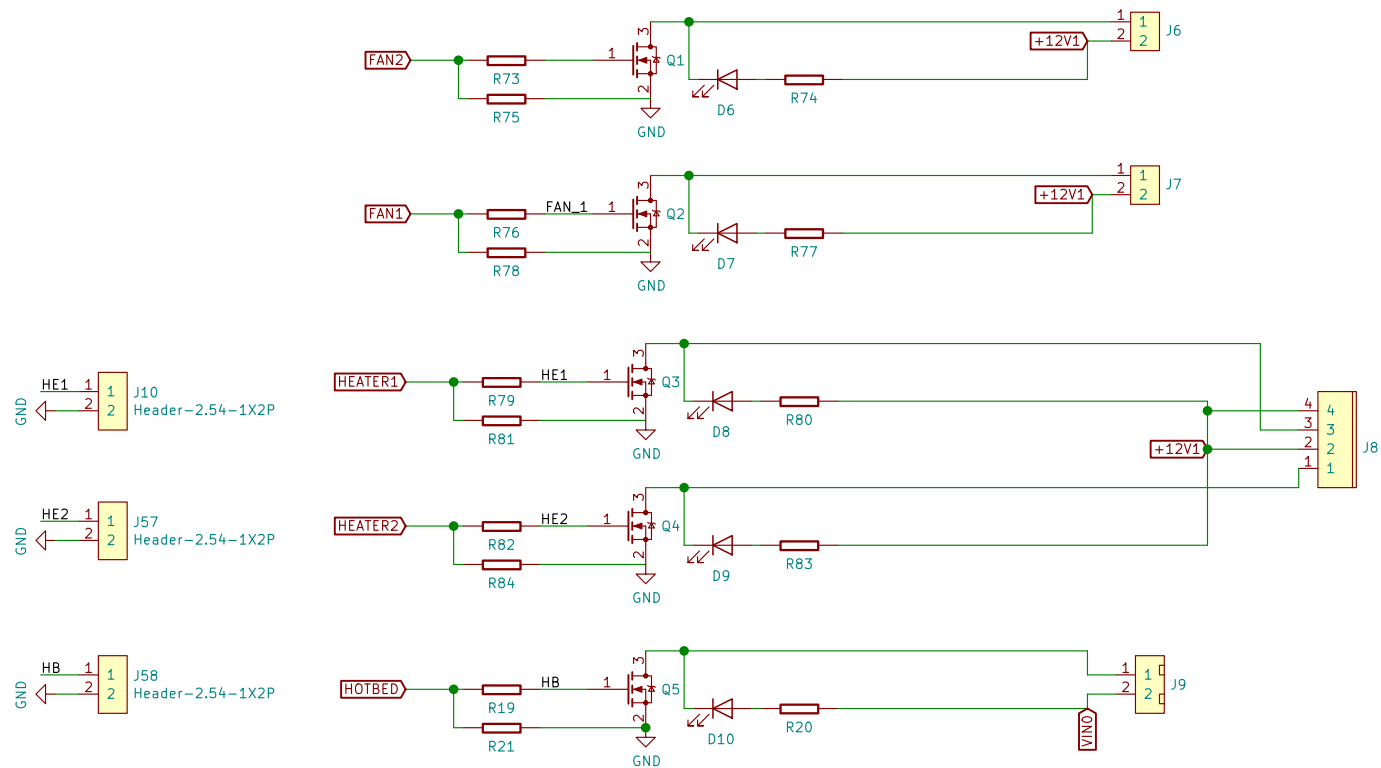


Github : <https://github.com/makerbase-mks>
 FaceBook : <https://www.facebook.com/Makerbase.mks/>
Makerbase
 Sheet: /POWER/
 File: POWER.sch



Title: MKS Robin Nano

Size: A4	Date: 2021-03-31	Rev: V3.0_004
KiCad E.D.A. kicad (5.1.4)-1		Id: 3/11



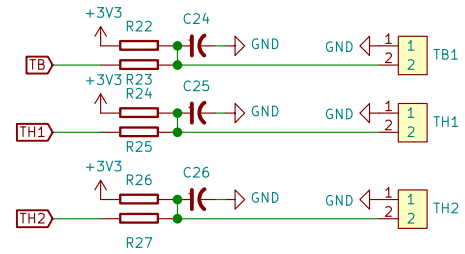
Github : <https://github.com/makerbase-mks>
 FaceBook : <https://www.facebook.com/Makerbase.mks/>



Sheet: /MOSFET/
 File: MOSFET.sch

Title: MKS Robin Nano

Size: A4	Date: 2021-03-31	Rev: V3.0_004
KiCad E.D.A. kicad (5.1.4)-1		Id: 4/11



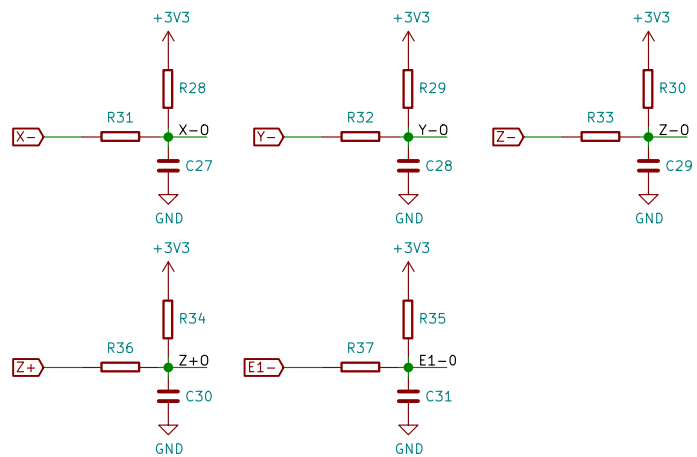
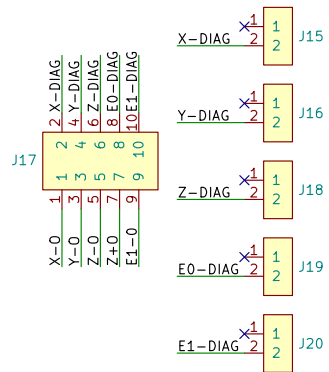
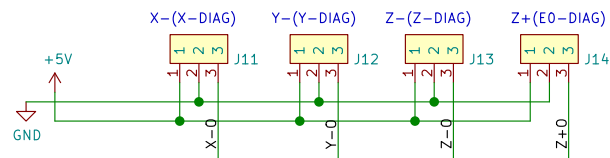
Github : <https://github.com/makerbase-mks>
 FaceBook : <https://www.facebook.com/Makerbase.mks/>
Makerbase
 Sheet: /THM/
 File: THM.sch



Title: MKS Robin Nano

Size: A4 Date: 2021-03-31
 KiCad E.D.A. kicad (5.1.4)-1

Rev: V3.0_004
 Id: 5/11



Github : <https://github.com/makerbase-mks>
 FaceBook : <https://www.facebook.com/Makerbase.mks/>



Makerbase
 Sheet: /ENDSTOP/
 File: ENDSTOP.sch

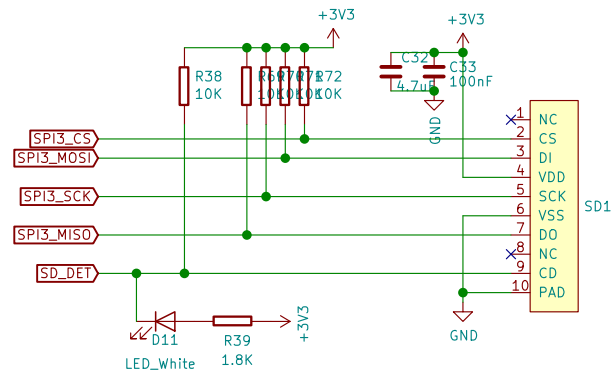
Title: MKS Robin Nano

Size: A4 | Date: 2021-03-31

KiCad E.D.A. kicad (5.1.4)-1

Rev: V3.0_004

Id: 6/11



Github : <https://github.com/makerbase-mks>
 FaceBook : <https://www.facebook.com/Makerbase.mks/>

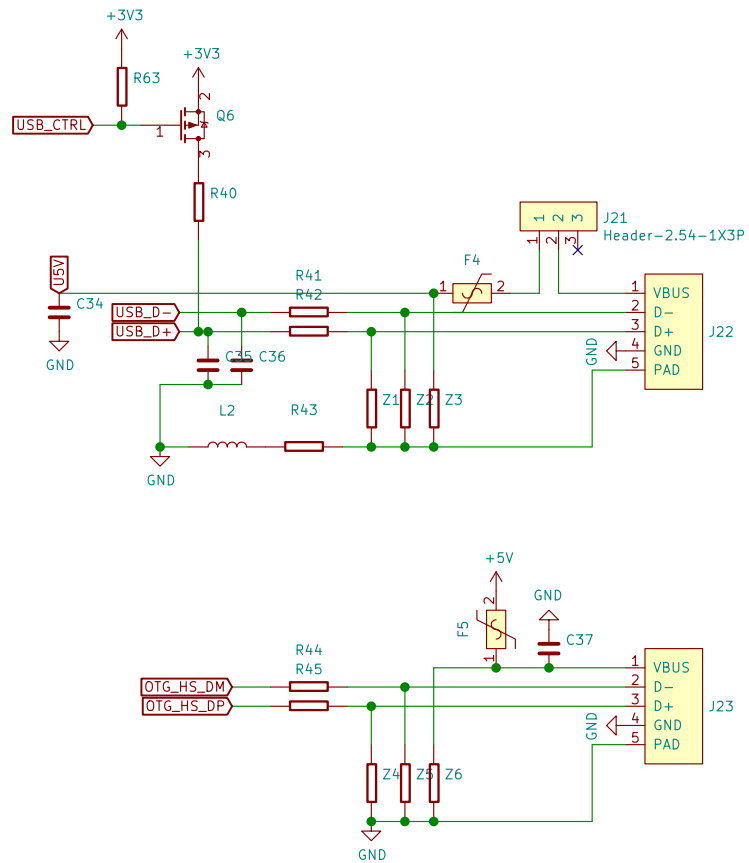


Sheet: /SD/
 File: SD.sch

Title: MKS Robin Nano

Size: A4 Date: 2021-03-31
 KiCad E.D.A. kicad (5.1.4)-1

Rev: V3.0_004
 Id: 7/11



Github : <https://github.com/makerbase-mks>
 FaceBook : <https://www.facebook.com/Makerbase.mks/>

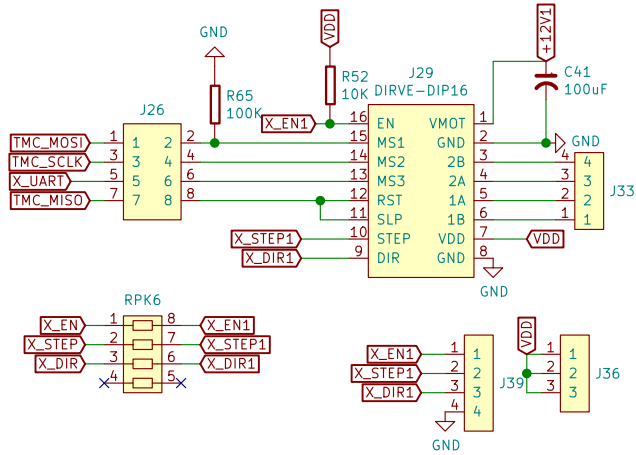


Makerbase
 Sheet: /USB/
 File: USB.sch

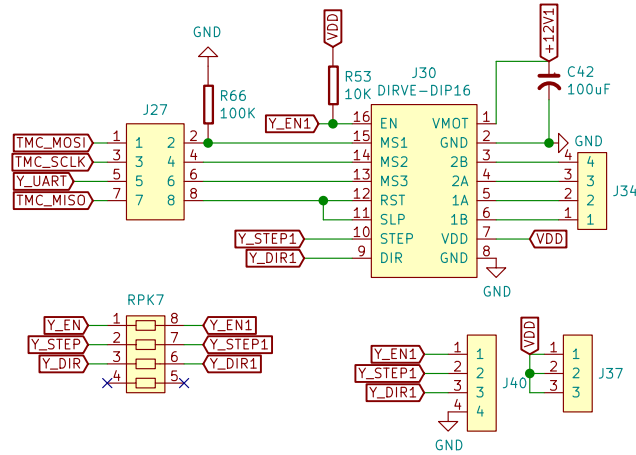
Title: MKS Robin Nano

Size: A4 Date: 2021-03-31
 KiCad E.D.A. kicad (5.1.4)-1

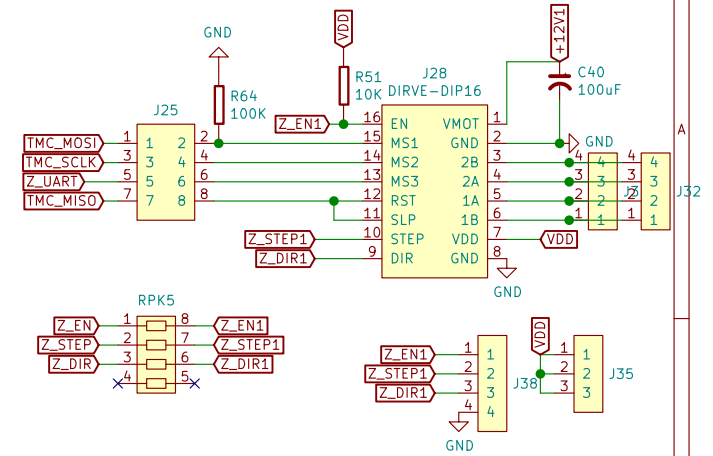
Rev: V3.0_004
 Id: 8/11



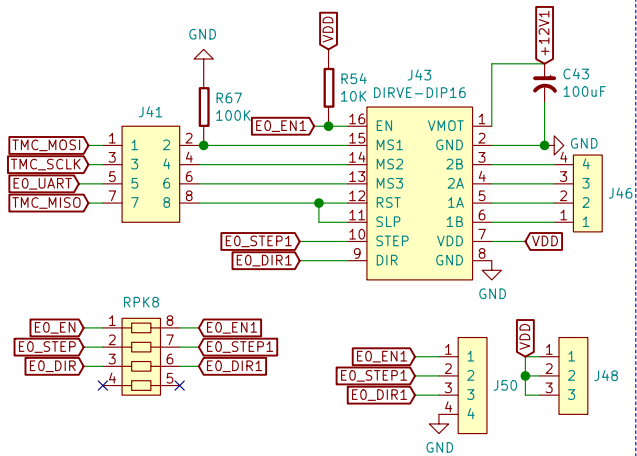
Motor X



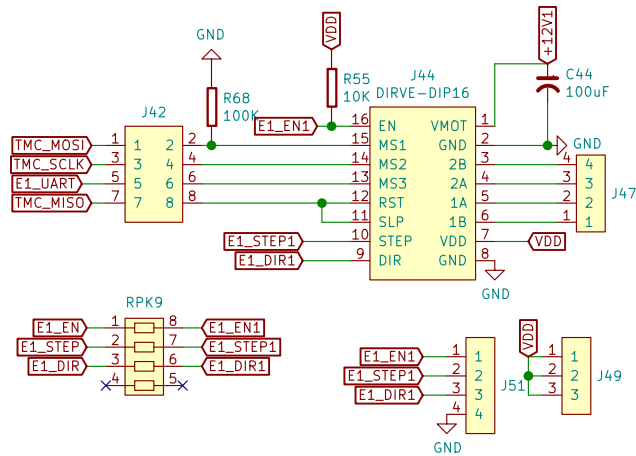
Motor Y



Motor Z

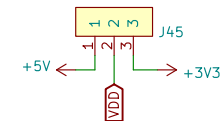


Motor E0



Motor E1

Motor Power Choice



Github : <https://github.com/makerbase-mks>

FaceBook : <https://www.facebook.com/Makerbase.mks/>



Makerbase

Sheet: /DRIVE/

File: DRIVE.sch

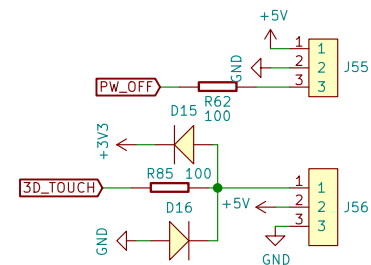
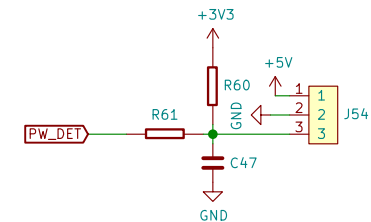
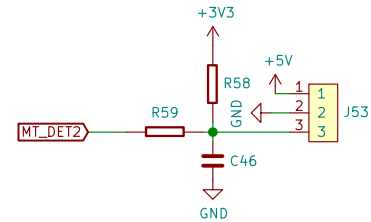
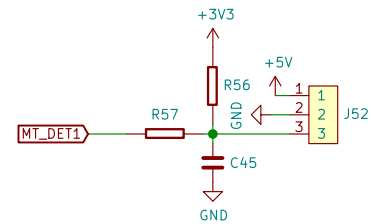
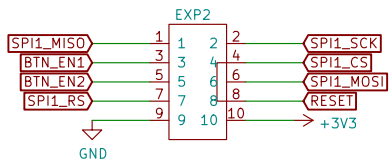
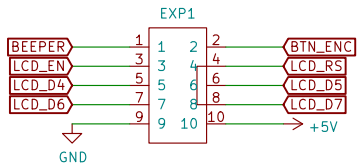
Title: MKS Robin Nano

Size: A4 Date: 2021-03-31

KiCad E.D.A. kicad (5.1.4)-1

Rev: V3.0_004

Id: 10/11



Github : <https://github.com/makerbase-mks>
 FaceBook : <https://www.facebook.com/Makerbase.mks/>



Makerbase

Sheet: /P-AUX/
 File: P-AUX.sch

Title: MKS Robin Nano

Size: A4 | Date: 2021-03-31

Rev: V3.0_004

KiCad E.D.A. kicad (5.1.4)-1

Id: 11/11